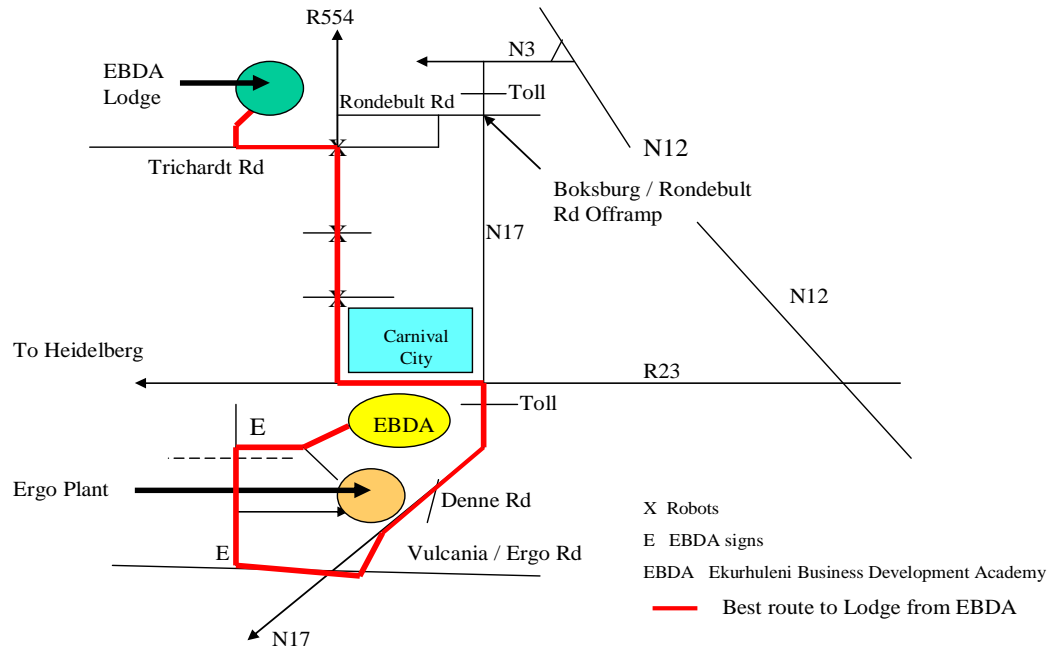


MAP to EBDA & EBDA Lodge



Directions to Ergo Mining (Pty) Ltd Trading as Ekurhuleni Business Development Academy (EBDA)

From Johannesburg City Centre

- Get onto MT east and proceed onto the N3 to Durban
- After the N3 / N12 split continue along the N3 and take the N17 to Springs and Brakpan
- Continue through the tollgate and proceed on N17 to Springs
- Pass Carnival City on right
- Continue through second tollgate
- Pass Denne off ramp
- Take the next off ramp that is marked Ergo Road / Vulcania
- At Stop street turn right across the N17 (The Ergo Plant will be immediately on your right)

- Continue past the plant and take the first road to the right that has a Ekurhuleni Business Development Signboard (2km) on the corner.
- Proceed for approximately 1.5 km over a railwayline
- Take the first turning to the right after the railwayline (You will find a Siyafunda and Ekurhuleni Business Development Academy signboard on the corner)
- Follow the tar road to a fork in the road and follow the sign to the left fork.
- Continue to the security gate and enter through the left gate and report to reception

From the East Rand

- Take any of the following roads and proceed along these until you come to the N17:
 - R21 then onto Rondebult Road
 - R23
 - Rondebult Road
- Turn left into the N17 and continue through the Carnival City tollgate
- Pass Denne off ramp
- Take the next off ramp that is marked Ergo Road / Vulcania
- At Stop street turn right across the N17 (The Ergo Plant will be immediately on your right)
- Continue past the plant and take the first road to the right that has a Ekurhuleni Business Development Signboard (2km) on the corner.
- Proceed for approximately 1.5 km over a railwayline
- Take the first turning to the right after the railwayline (You will find a Siyafunda and Ekurhuleni Business Development Academy signboard on the corner)
- Follow the tar road to a fork in the road and follow the sign to the left fork.
- Continue to the security gate and enter through the left gate and report to reception

From Springs / Secunda

- If you are familiar with the area, make your way through Brakpan to Ergo Road and then follow the above instructions, OR continue along the N17 towards Johannesburg
- Pass the Ergo Plant on your left
- Take the Denne offramp, turn right across the highway and then double back onto the N17 highway towards Springs
- Take the next off ramp that is marked Ergo Road / Vulcania
- At Stop street turn right across the N17 (The Ergo Plant will be immediately on your right)
- Continue past the plant and take the first road to the right that has a Ekurhuleni Business Development Signboard (2km) on the corner.
- Proceed for approximately 1.5 km over a railwayline

- Take the first turning to the right after the railwayline (You will find a Siyafunda and Ekuhuleni Business Development Academy signboard on the corner)
- Follow the tar road to a fork in the road and follow the sign to the left fork.
- Continue to the security gate and enter through the left gate and report to reception

From the North or South

- Get onto the N3 to Durban
- After the N3 / N12 split continue along the N3 and take the N17 to Springs and Brakpan
- Continue through the tollgate and proceed on N17 to Springs
- Pass Carnival City on right
- Continue through second tollgate
- Pass Denne off ramp
- Take the next off ramp that is marked Ergo Road / Vulcania
- At Stop street turn right across the N17 (The Ergo Plant will be immediately on your right)
- Continue past the plant and take the first road to the right that has a Ekurhuleni Business Development Signboard (2km) on the corner.
- Proceed for approximately 1.5 km over a railwayline
- Take the first turning to the right after the railwayline (You will find a Siyafunda and Ekuhuleni Business Development Academy signboard on the corner)
- Follow the tar road to a fork in the road and follow the sign to the left fork.
- Continue to the security gate and enter through the left gate and report to reception